

## IEC-C13 Power Cord

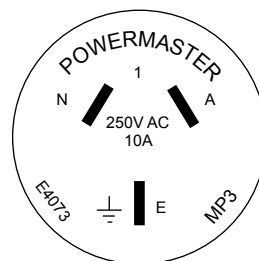
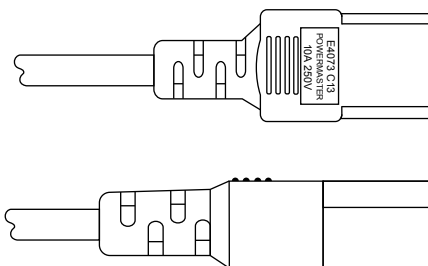
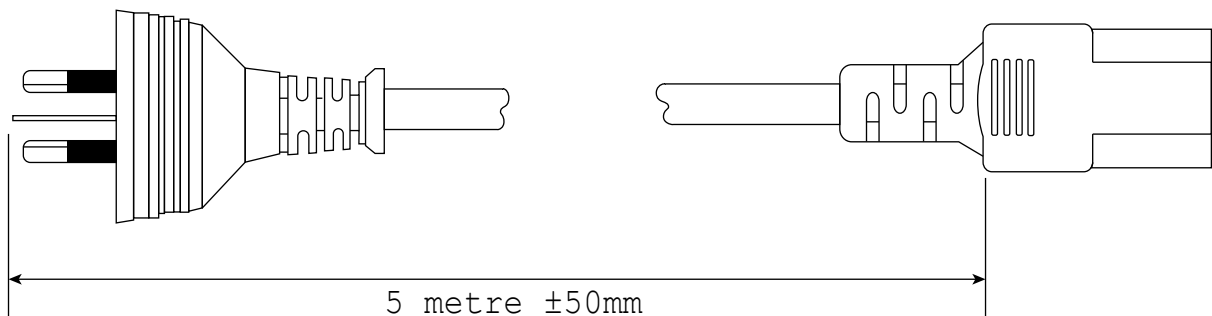
K3757



### FEATURES

- As used on most computers and office equipment.
- Fitted with IEC-C13 connector and Australian 3-pin mains plug with insulated pins compliant with AS/NZS3112.
- Electrical Safety Authority Approved.

### DESIGN & CONSTRUCTION



To view Access' extensive ranges go to: [www.accesscomms.com.au](http://www.accesscomms.com.au)

**Sydney (Head Office)**  
**Brisbane Sales**  
**Melbourne Office**  
**Adelaide Office**

Unit 1, 29 Prince William Drive, Seven Hills NSW 2147

28 The Gateway, Broadmeadows VIC 3047  
71 Anzac Highway, Ashford SA 5035

Phone: (02) 9414 8888  
Phone: (07) 3308 5555  
Phone: (03) 9330 8333  
Phone: (08) 8338 5540

[sales@accesscomms.com.au](mailto:sales@accesscomms.com.au)  
[brisbane@accesscomms.com.au](mailto:brisbane@accesscomms.com.au)  
[melbourne@accesscomms.com.au](mailto:melbourne@accesscomms.com.au)  
[adelaide@accesscomms.com.au](mailto:adelaide@accesscomms.com.au)

## IEC-C13 Power Cord

K3757


### MAINS PLUG

Type	3-pin Australian mains plug
Standard	AS/NZS 3112.2004
Safety Certificate	Q01734
Color	Black

### CONNECTOR

Type	IEC-C13
Standard	AS/NZS60320.2.2.2004
Safety Certificate	N18157
Color	Black

### FLEX JACKET

Type	GD-3
Standard	AS/NZS3191.2003
Safety Certificate	N18155
Marking	Powermaster® GD-3 3x1.0mm <sup>2</sup> 75°C N18155 AS/NZS3191 
Diameter	7.0mm
Material	PVC (Black)

### FLEX CONDUCTORS

Conductors	3 x 1.0mm <sup>2</sup>
Sheath	PVC Brown (A), Blue (N) Yellow/ Green (E)